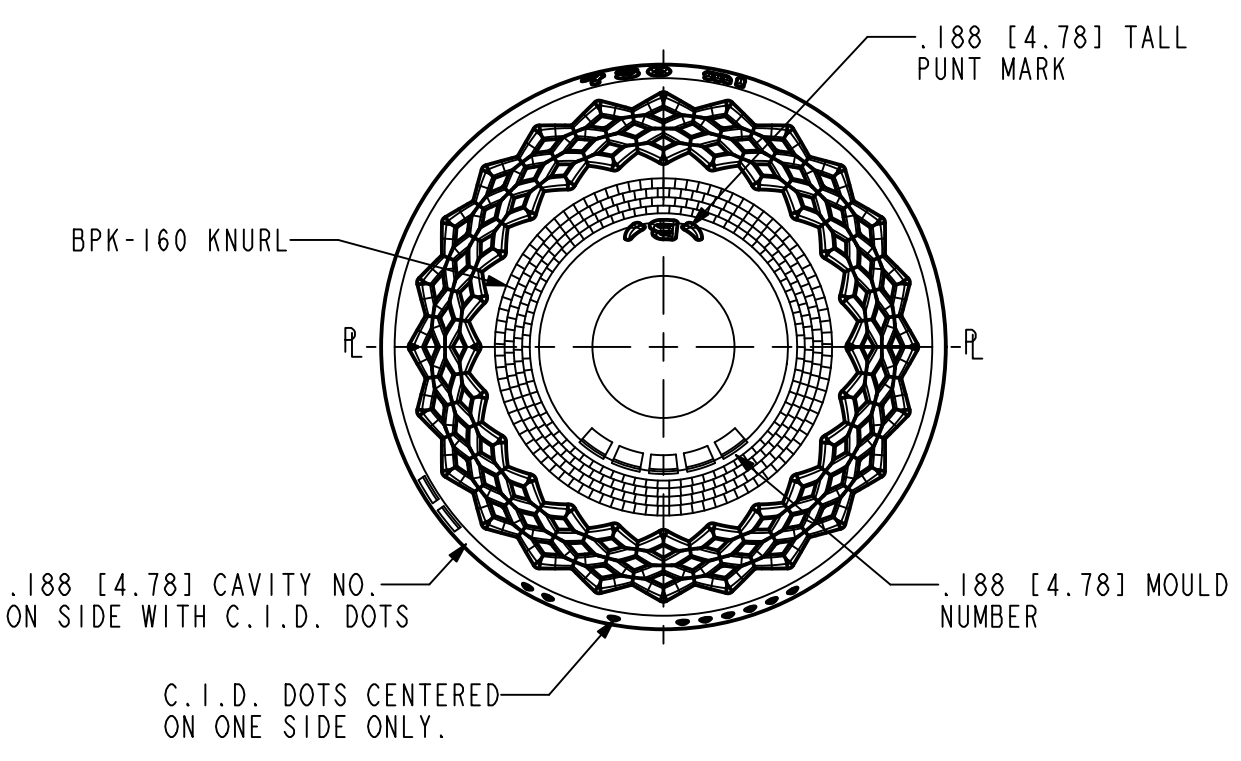
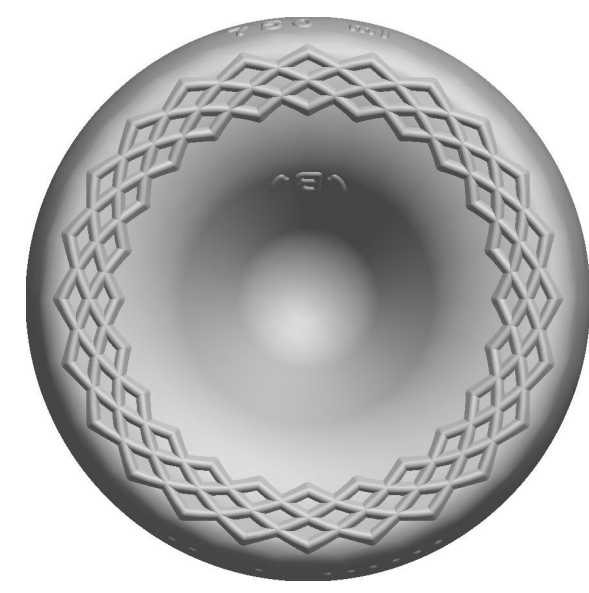



FILL POINT LOCATIONS ARE CALCULATED AND MAY HAVE TO BE ADJUSTED AFTER SAMPLING.



WEIGHTS AND CAPACITIES (BASED ON WATER AT 68°F [20°C])		
CAPACITY: 25.361 FL.OZ. [750.00 ml]		
FINISH	OVERFLOW CAPACITY	BOTTLE WEIGHT
30A-3115	26.100 FL.OZ. ±.313 FL.OZ. [771.88 ml ±9.26 ml]	16.500 oz. ±.625 OZ. [467.77 g ±17.72 g]

 <b>BENNU GLASS</b> 2310 N Hendrickson Dr, Kalama, Wa 98625			
CUSTOMER:	LOCATION:		
DRAWING TITLE: <b>STOCK 750 ml P/U BORDEAUX</b>			
DRAWING NUMBER: <b>BX571</b>			
DATE: 09-Apr-12	SCALE: 1:1	DRAWN BY: MET CHECKED BY:	SHEET NO: 1 OF 1

NO.	REVISIONS	DATE REV.	BY
3	ADJUSTED FOR CORRECTED GLASS FACTOR, MAJOR BODY DIA. WAS 2.952, .063 BEARING FLAT WAS .043, R.631 WAS R.667	13-JUL-12	MET
2	PUNT MARK WAS CENTERED ON PUSHUP, C.I.D. DOTS WAS ON TWO SIDES	1-MAY-12	MET
1	.500 FINISH HEIGHT WAS .531	24-APR-12	MET