

FILL POINT LOCATIONS ARE CALCULATED AND MAY HAVE TO BE ADJUSTED AFTER SAMPLING.



.281 [7.14] DOT CODE
 .125 [3.18]

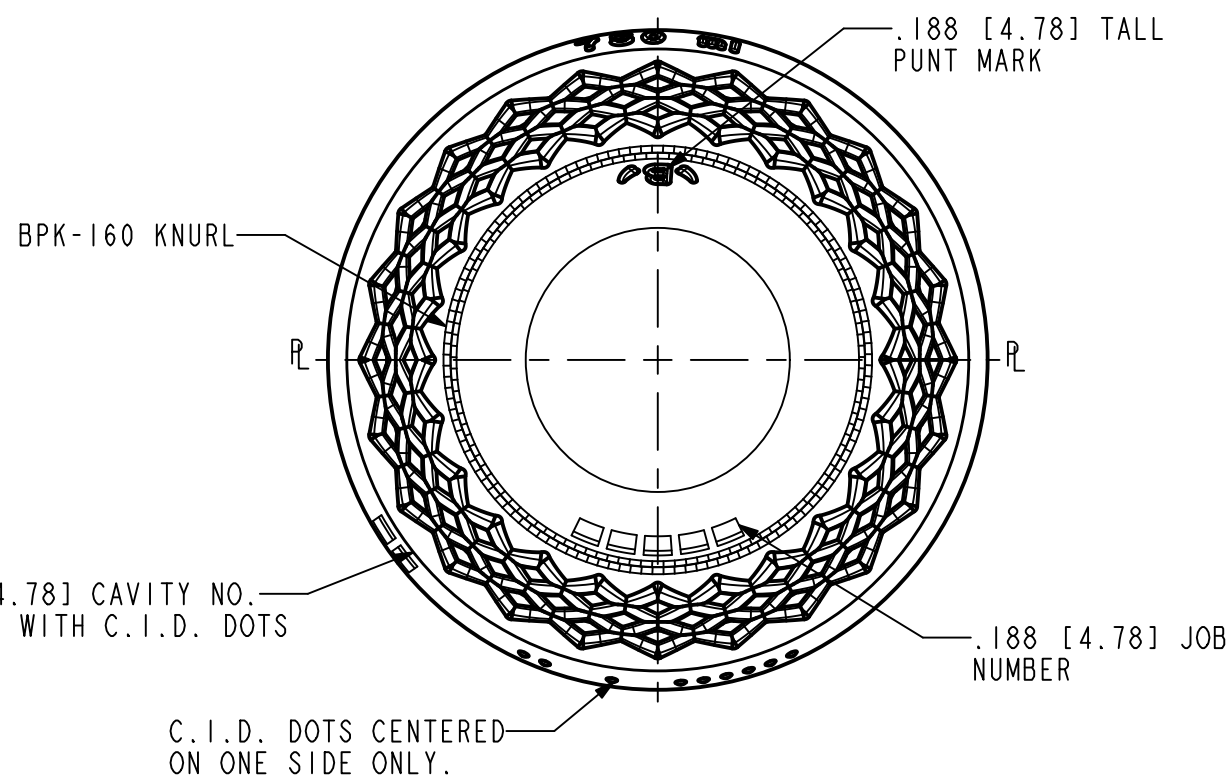
.063 FLAT [1.60]

750 ml

.188 [4.78] TALL CAPACITY LETTERING CENTERED ON ONE SIDE ONLY.
 .188 [4.78] TALL PUNT MARK
 .188 [4.78] CAVITY NO. ON SIDE WITH C.I.D. DOTS
 .188 [4.78] JOB NUMBER

WEIGHTS AND CAPACITIES
 (BASED ON WATER AT 68°F [20°C])

CAPACITY: 25.36 FL.OZ. [750.00 ml]		
FINISH	OVERFLOW CAPACITY	BOTTLE WEIGHT
30A-3115	26.035 FL.OZ. ±.313 FL.OZ. [769.95 ml ±9.26 ml]	22.046 oz. ±.875 oz. [625.00 g ±24.806 g]



BENNU GLASS
 2310 N Hendrickson Dr, Kalama, Wa 98625

bennu glass

CUSTOMER: _____ LOCATION: _____

DRAWING TITLE: SYMPHONY 750 ml P/U BURGUNDY

DRAWING NUMBER: BY521

DATE: 20-Jun-12 SCALE: 1:1 DRAWN BY: MET SHEET NO: 1 OF 1

CHECKED BY: _____

NO.	REVISIONS	DATE REV.	BY