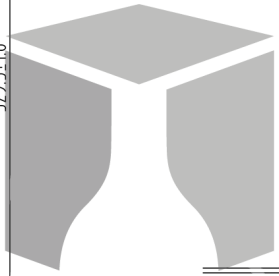
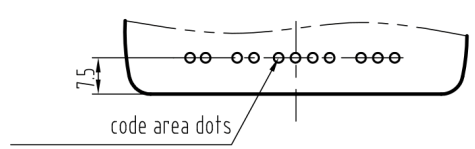
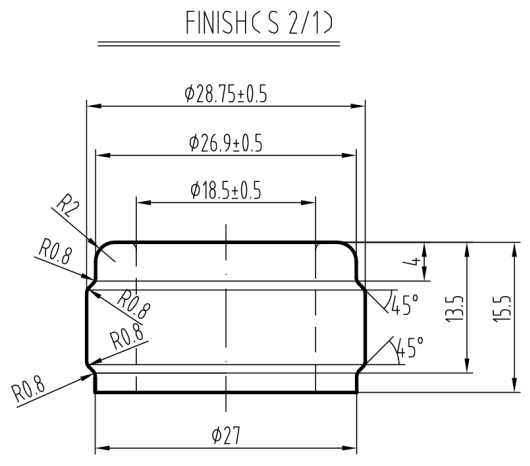
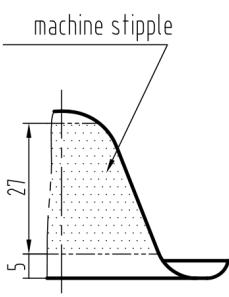
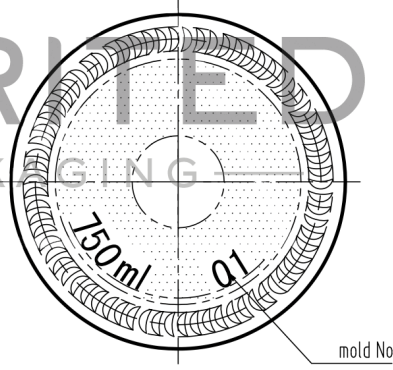


back view



BOTTOM VIEW



SPIRITED
PACKAGING

ITEMS		STANDARD		
CAPACITY		750	ml	
FILL POINT CAP		750±7.5	ml	
BRIMFUL CAP		770±7.5	ml	
WEIGHT		615±25	g	
TOTAL HEIGHT		329.5±1.8	mm	
BODY DIAMETER		77±1.6	mm	
FINISH	DIAMETER	28.75±0.5	mm	
	INSIDE DIAMETER	18.5±0.5	mm	
	USEFUL HEIGHT	13.5	mm	
	STANDARD			
DESIGNER			NOTE :	
DRAWN		2015.12		
PROOFREAD				
APPROVER				
	NAME	DATE	SCALE	1:1
NAME OF PRODUCT		750ml 750ml Bordeaux Bottle		
PRODUCT NO		SPI-1526		